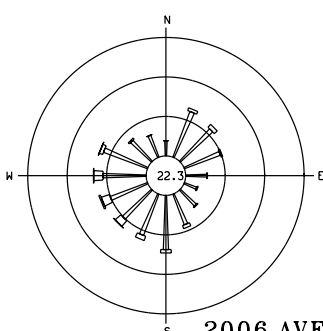
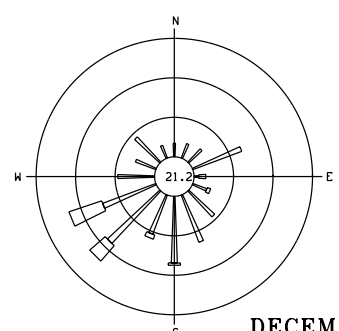
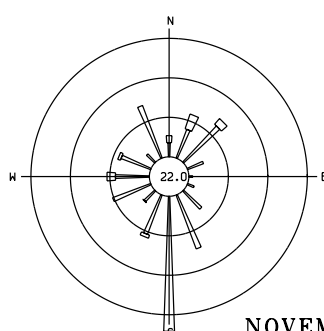
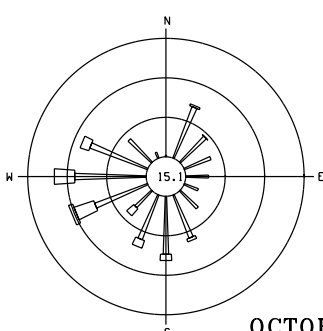
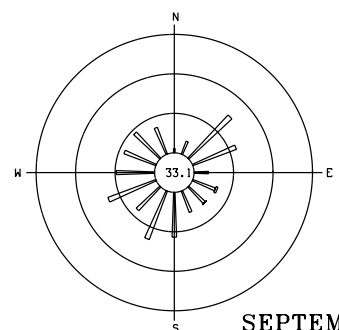
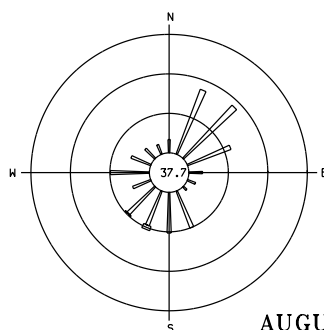
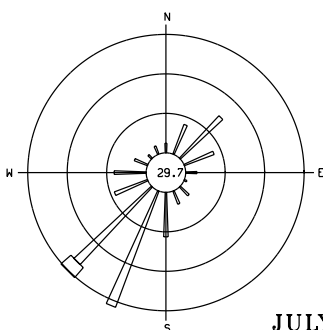
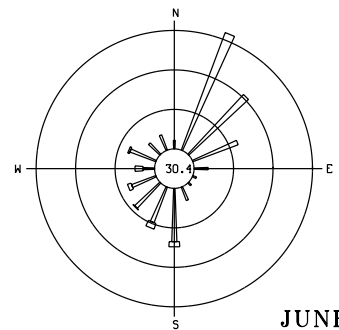
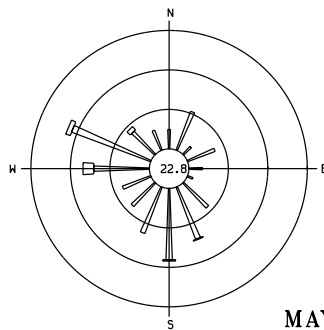
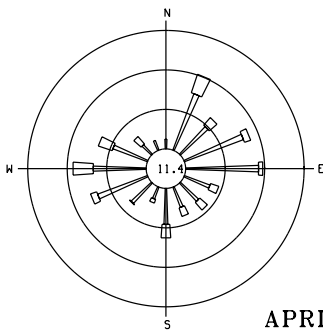
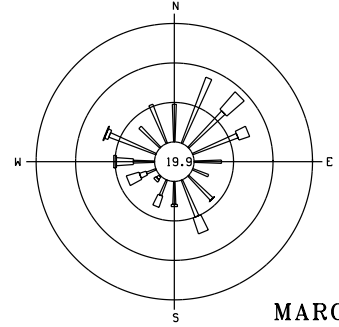
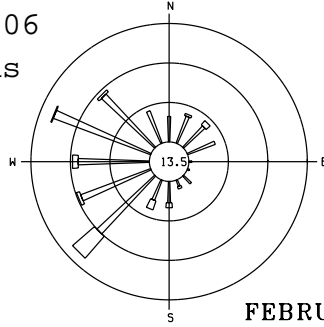
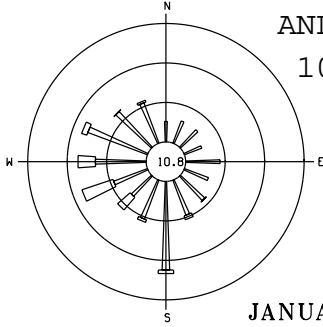


ANLMET 2006

10m winds



A = % of Calm (0-2 m/s)  
 B = 2.01-6 m/s  
 C = 6.01-10 m/s  
 D = >10.01 m/s

