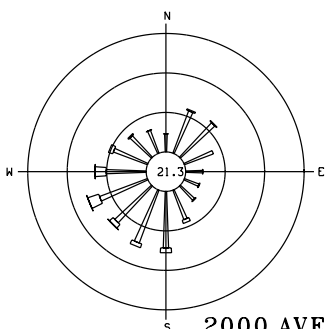
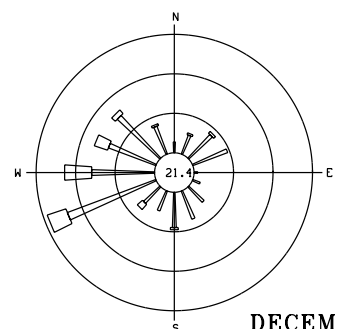
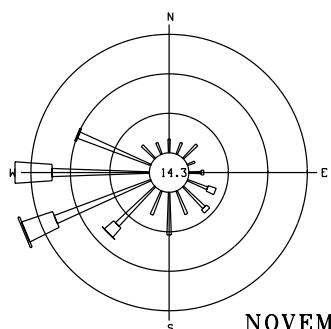
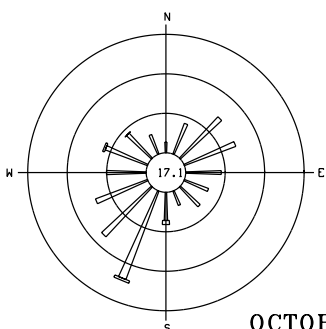
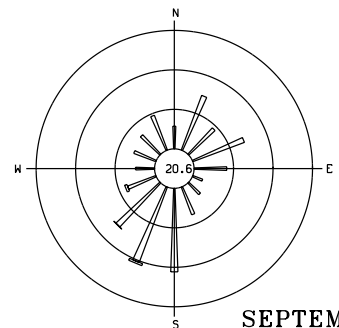
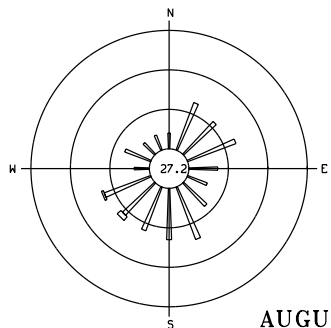
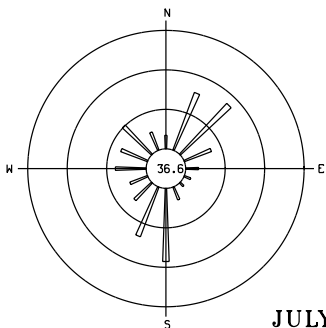
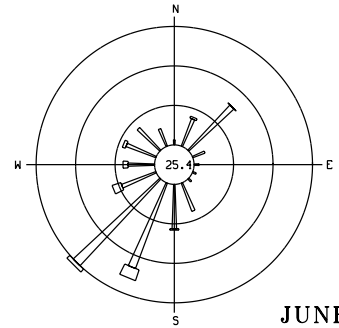
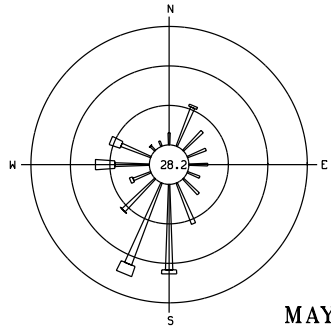
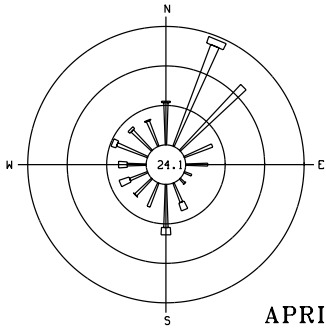
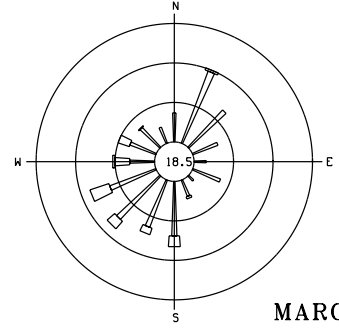
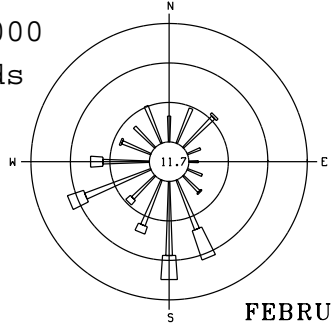
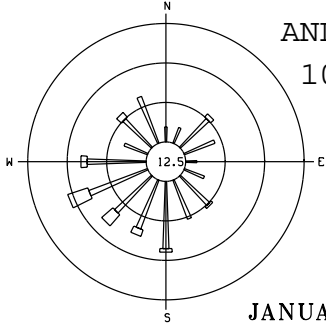


ANLMET 2000  
10m winds



**A = % of Calm (0-2 m/s)**  
**B = 2.01-6 m/s**  
**C = 6.01-10 m/s**  
**D = >10.01 m/s**

**SCALE**