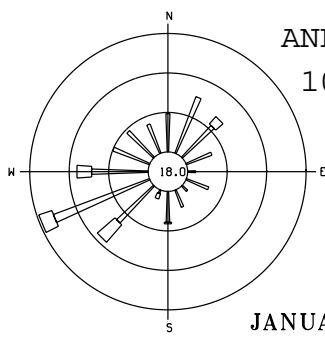
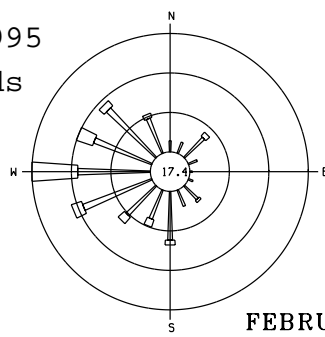


ANLMET 1995

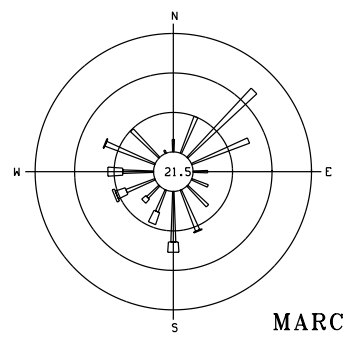
10m winds



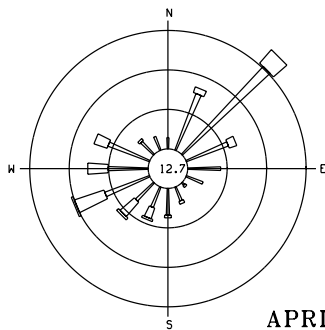
JANUARY



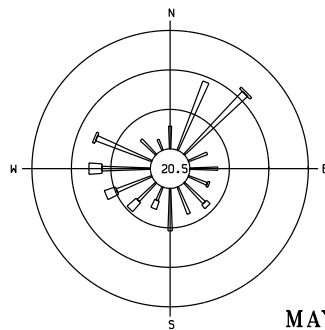
FEBRUARY



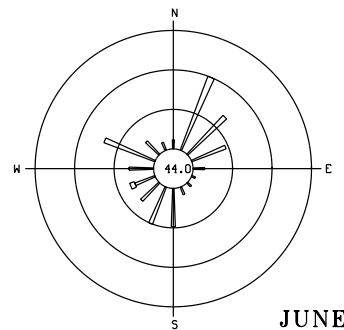
MARCH



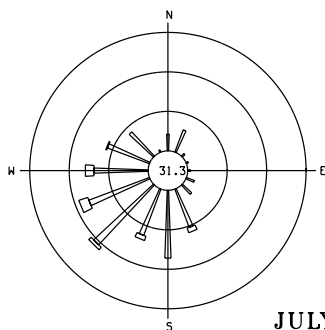
APRIL



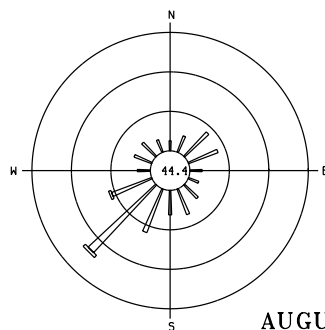
MAY



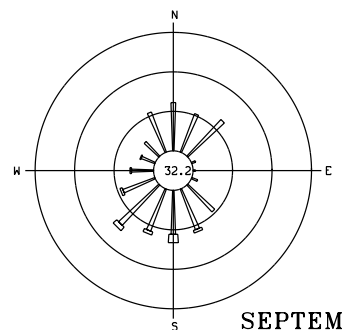
JUNE



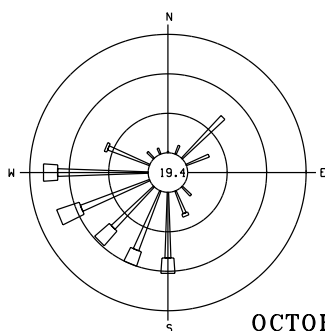
JULY



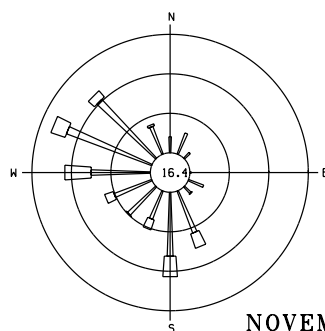
AUGUST



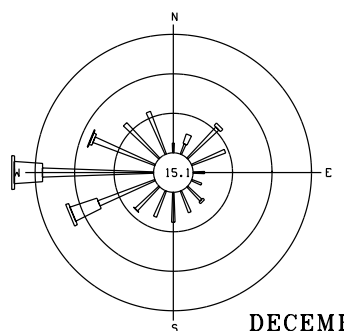
SEPTEMBER



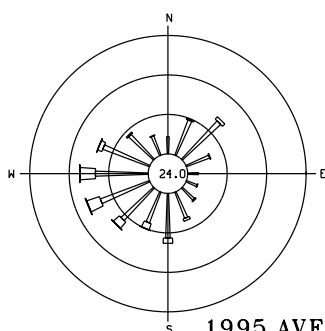
OCTOBER



NOVEMBER



DECEMBER



1995 AVERAGE

