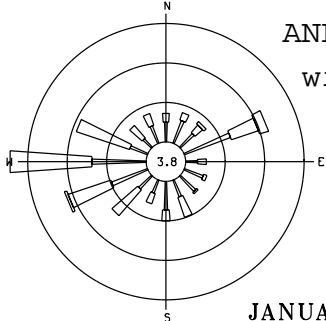
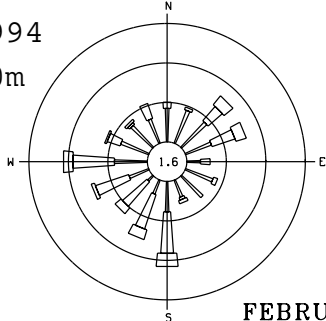


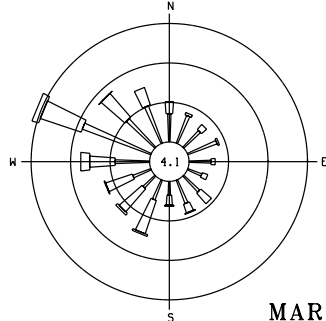
ANLMET 1994  
winds 60m



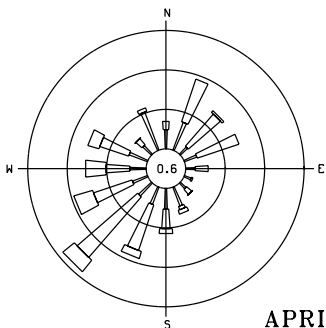
JANUARY



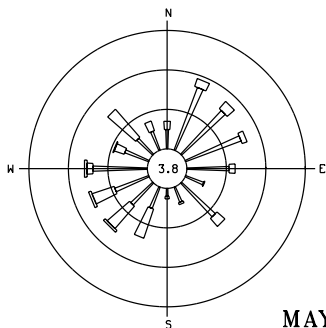
FEBRUARY



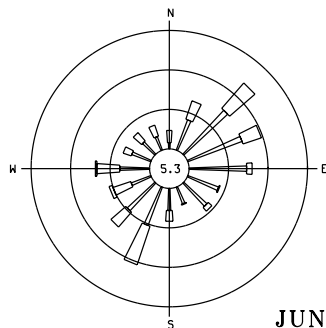
MARCH



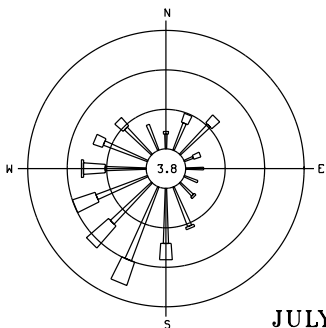
APRIL



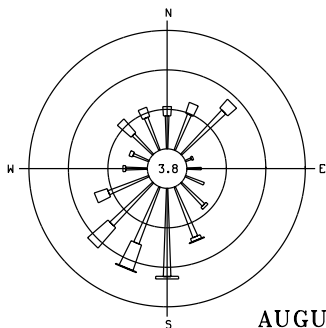
MAY



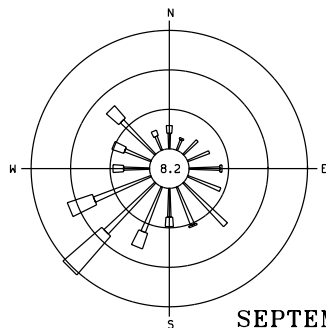
JUNE



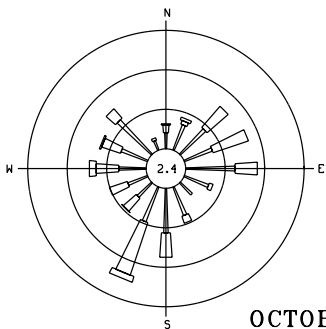
JULY



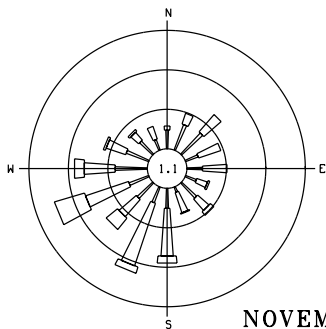
AUGUST



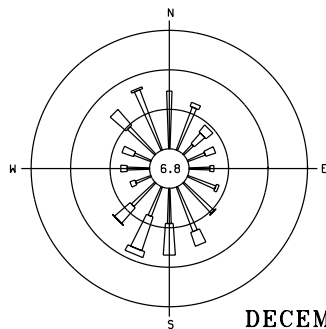
SEPTEMBER



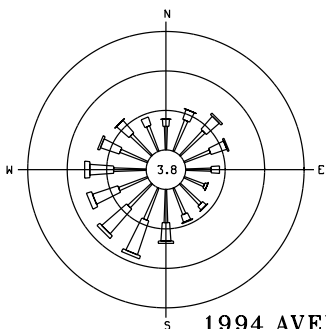
OCTOBER



NOVEMBER

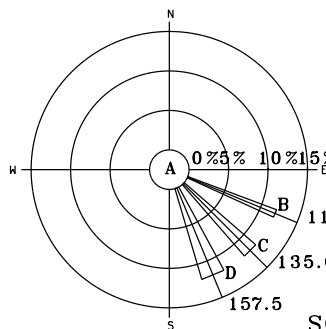


DECEMBER



1994 AVERAGE

A = % of Calm (0-2 m/s)  
 B = 2.01-6 m/s  
 C = 6.01-10 m/s  
 D = >10.01 m/s



SCALE