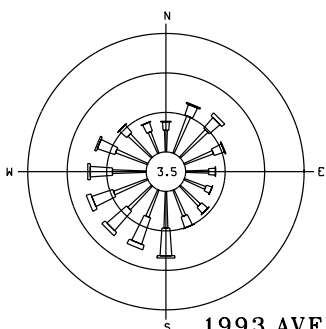
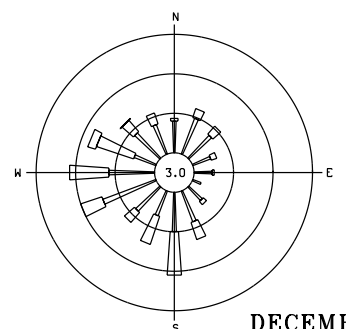
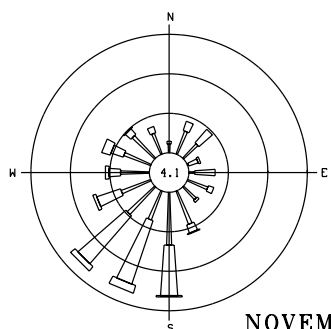
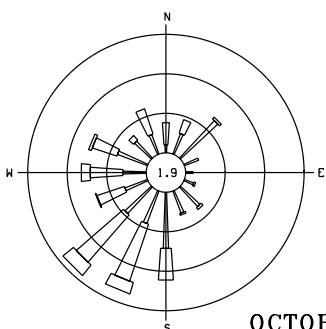
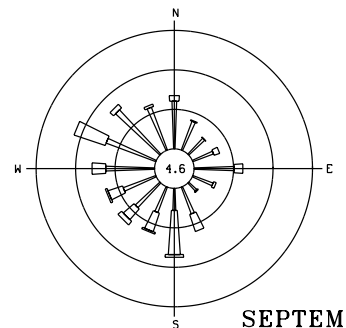
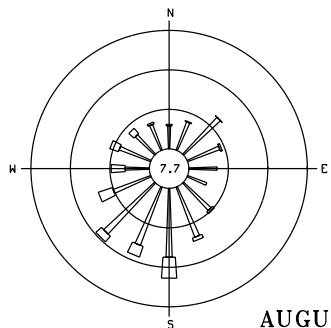
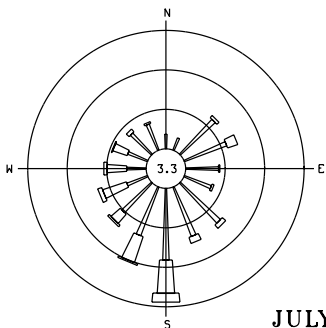
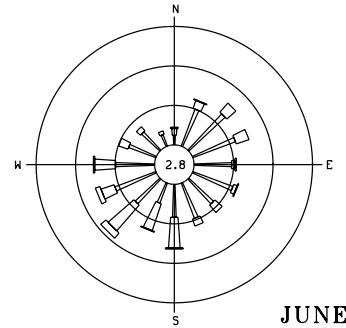
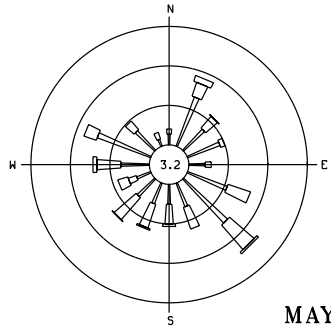
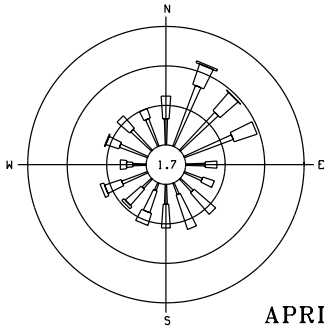
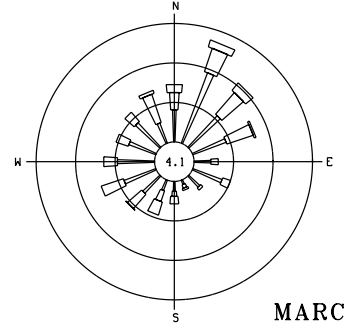
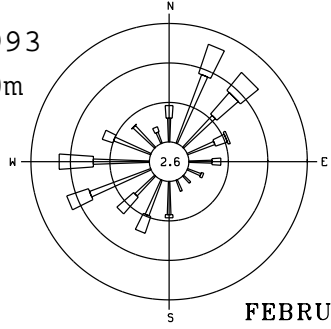
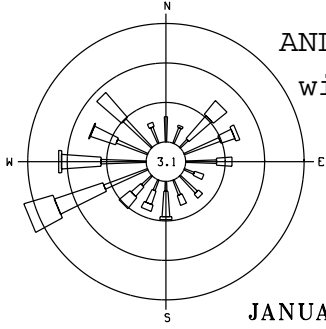


ANLMET 1993
winds 60m



A = % of Calm (0-2 m/s)
B = 2.01-6 m/s
C = 6.01-10 m/s
D = >10.01 m/s

SCALE